

Business Unit: Roofing

Date Of Issue: April 2009

SIKA-TROCAL'S NEW OUTLETS

Single ply membrane manufacturer, Sika-Trocacal, has launched a new range of rainwater outlets. The range, which includes a roof drain, scupper and polyethylene leafguard, has been designed to work perfectly with their entire range of roofing membranes.

A significant benefit of the new range is the ability to simply weld the Sika-Trocacal membrane directly to the outlet and scupper, eliminating the need for sealants that normally require future maintenance.

The high performance rainwater outlet is available in 75, 110 and 160mm diameter options for flow rates of up to 9.2 litres/second. The scupper which provides drainage through the parapet wall or mansard, carries a 5 degree pitch, is 110mm in diameter and can cope with flow rates up to 5.3 litres/second.

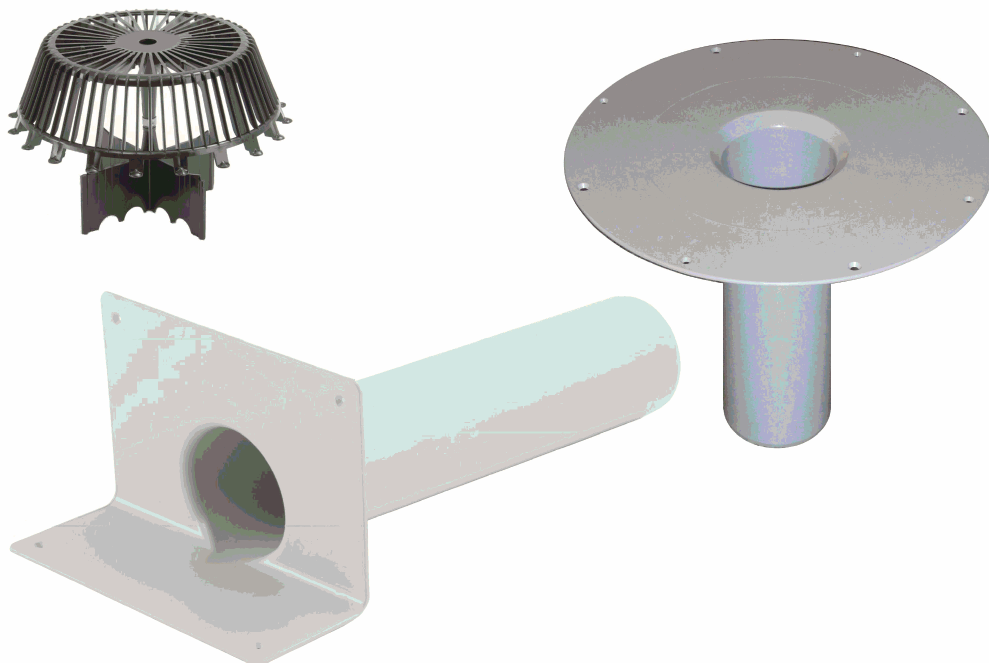
Fully recyclable and manufactured under the quality management system EN ISO 9001/14001 the range offers outstanding resistance to weathering, including UV irradiation and stress cracking. For further information contact the Sika-Trocacal sales office on 01707 394444 or email sika-trocacal@uk.sika.com.

Ends.

Word count: 160



Press Release



Note to Editors:

Sika Limited is a wholly owned subsidiary of Sika AG, a global company based in Switzerland specialising in the manufacture and supply of chemical based products for construction and industry. A world-leader in its field Sika has subsidiaries in more than 70 countries, generates annual sales of CHF 4.6 billion and is committed to providing quality, service, safety and environmental care. In Great Britain, Sika AG owns the two major single ply roofing system brands, Sarnafil and Sika-Trocal, operating them as competing brands from separate limited companies.

The Sika-Trocal Roofing Division of Sika Limited provides flat roofing membranes for the new build and refurbishment markets. Trocal was first established in Great Britain in 1972 and acquired by the Sika Group in 2001. Throughout its history the company has maintained high standards of training and quality installation, building a loyal specialist sub contractor, specifier and client base. Today Sika-Trocal provides high levels of specification generation, site support, straightforward guarantees and quality in construction, making Sika-Trocal the contractor's choice. Sika Limited's head office is based in Welwyn



Press Release

Garden City at Watchmead, Welwyn Garden City, Hertfordshire, AL7 1BQ. Call 01707 394444 or visit www.sika.co.uk/roofing.

Further press information about Sika Limited and Sarnafil Limited, including an extensive image gallery, can be found at the Sika Media Centre – www.sikamarketing.co.uk.

Colour separations: Please send all requests to McInnes Communications Ltd.

Issued by McInnes Communications Ltd on behalf of Sika-Trocal.

For further information contact:

Iain McInnes
Managing Director
McInnes Communications Ltd
t: 0870 381 1811
f: 0870 381 1812
m: 07725 480240
e: info@mcinnescommunications.com

Mark Harris
Head of Marketing
Sika-Trocal
t: 01707 394444
f: 01707 375593
e: harris.mark@ukroofing.sika.com

